

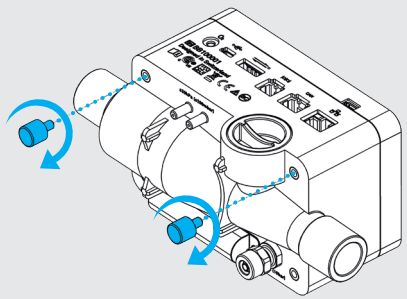
analyser

the art of measuring

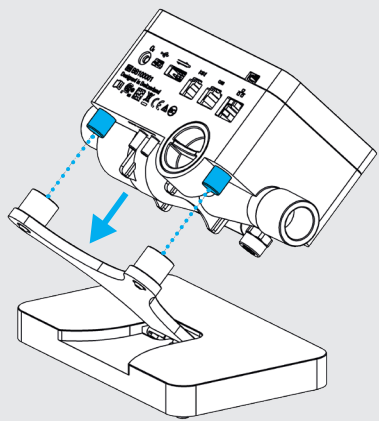
Installation Guide for CITREX Stand

(CITREX stand, 304.714.000)

Install the two mounting pins in the CITREX unit using the existing threads as shown.



Attach the mounting pins on the device to the two magnets on the stand.



700.093.000_01, 2018-10